

## LEDs

### Table 1 Light-strip

LED Status	Description
Red, flashing	There is an incoming call or be Hold.
Red, steady	Hook-off. or enter a usual conversation

### Table 2 Line Buttons

LED Status	Description
Green, steady	Talking with someone
Red, flashing	Someone was calling the line
Green, flashing	The line was on hold
Dark	Accounts was idle

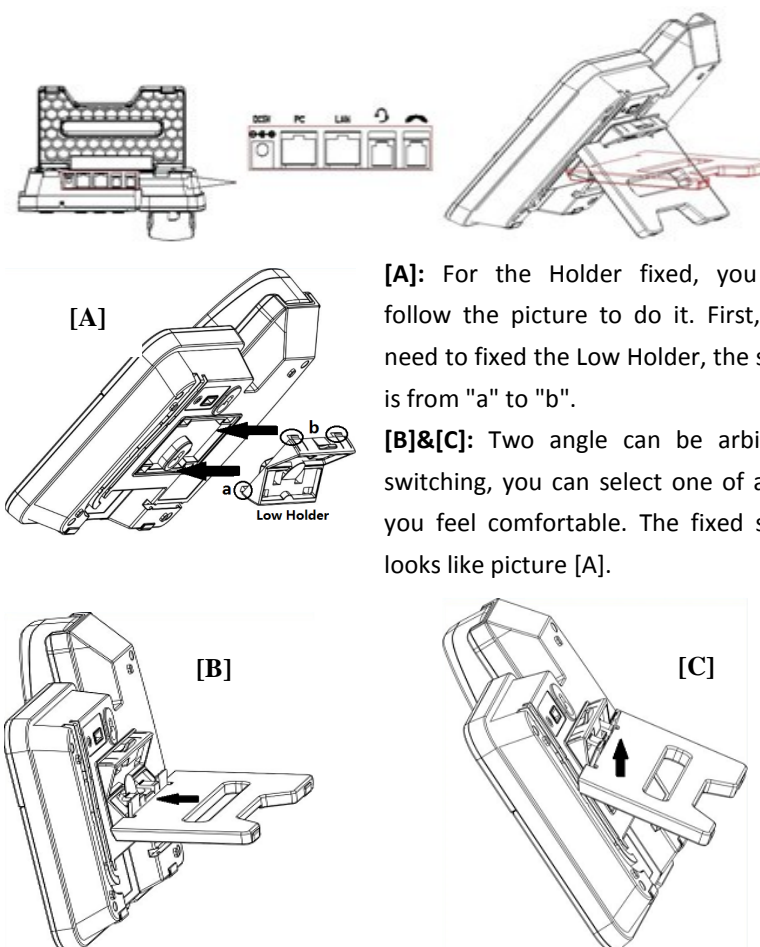
### Table 3 Others in REDs

Buttons	Description
Headset, Mute, Speaker	The corresponding function is enabled.

## List

Name	Amount
IP Phone	1
Handset	1
Net Work Cable	1
Quickly User Guide	1
Holder	1

## Mounting Bracket



[A]: For the Holder fixed, you can follow the picture to do it. First, you need to fixed the Low Holder, the steps is from "a" to "b".

[B]&[C]: Two angle can be arbitrary switching, you can select one of angle you feel comfortable. The fixed steps looks like picture [A].

## Network Settings

- Steps: Press the menu button on the phone **MENU => System Settings => Advanced Settings => Enter Advanced Password** (Empty by default) by pressing **OK => Network => click OK**  
Type has the following options : **STATIC, PPPoE, DHCP**  
Choose **STATIC** press Navigation key - to the next, see the IP address settings, the IP and gateway settings and other related network information, including ". Use the key "\*" entry.  
Select **PPPoE** username and password to register.  
Select **DHCP** needn't to setting IP.  
NOTE: When you change the mode with NetWork, it need to be reboot.

## Registered account

- On the phone, press **MENU** button => **SystemSettings** => **AdvancedSettings** => type **Advanced password** (it is idle by default) and press **OK** button=> **SIP** => **AccountsSIP** => **Account1**, and then set the main parameter as follow:  
**EnableAccount:** Select **Enable** | **AccountMode:** **VOIPAccount:**  
**Type your SIP account**  
**AuthenUser:** The authentication with the account  
**UserPwd:** Type your SIP password  
**SIP1:** Type the IP address of your SIP server (you can type "." by "\*" button, you must confirm the connection between the phone and SIP server), And then select **Submit changes**, and press **OK** button to submit the changes.

## Placing a Call

You can pick up the handset or press **Headset/Speaker** button to place a call.

- Dial directly:** Dial number directly, then press # button or Send soft-key (it will call from the first available line);
- Redial:** Press **Redial** button/soft-key to dial the latest number;
- Dial from Call history:** Press **Menu** button, select "**Callhistory**" and select one of "**Missedcalls**", "**Receivedcalls**" and "**Dialednumbers**" lists to dial by pressing **Dial** soft-key.

You can open Call history in standby status of phone by pressing corresponding Navigation-buttons, for example , **Left** button : "**ReceivedCalls**" list ; **Right** button : "**DialedNumbers**" list ; **Down** button : "**MissedCalls**" list . **UP** button : "**tonevolume**" ; "**OK**" button to confirm the key ; next to the "C" key for the Cancel button.

**\*This document introduces normal function operation of IP phones only. For details (operation and configuration), refer to User Manual. And set details on the web page of phone. In the browser, input the IP phone's address and the phone's user name and password (default is root), and then login into the IP phone's web configuration interface.**